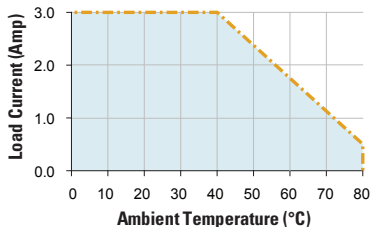
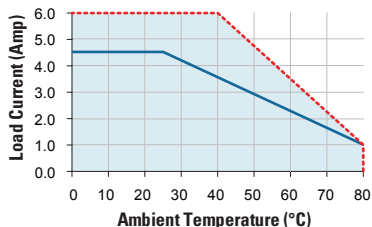


DERATING CURVES

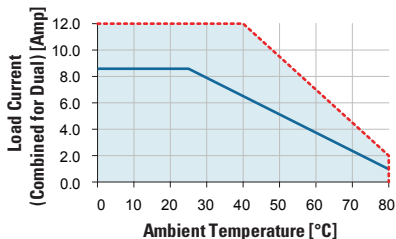
DRxxx03



DRxxx06



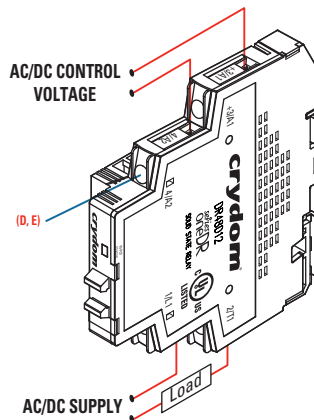
DRxxx12 & DRDxxD06



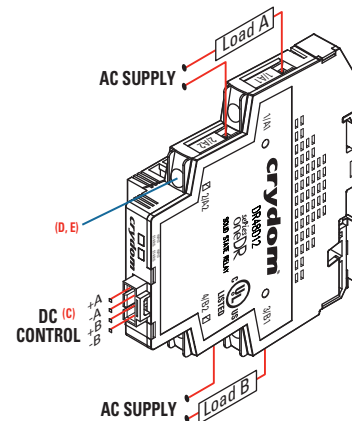
- Single and multiple units for DRxx03
- - - Installed single unit, distance to adjacent components ≥ 11 mm for DRxxx06 and ≥ 18 mm for DRxxx12 & DRDxxD06
- Multiple units, no minimum spacing between components

WIRING DIAGRAMS (B)

For DRxxx03, DRxxx06 or DRxxx12 versions



For DRDxxD06 versions



⚠ WARNING

RISK OF MATERIAL DAMAGE AND HOT ENCLOSURE

- The product's side panels may be hot, allow the product to cool before touching.
- Follow proper mounting instructions including torque values.
- Do not allow liquids or foreign objects to enter this product.

Failure to follow these instructions can result in serious injury, or equipment damage.

⚠ DANGER

HAZARD OF ELECTRIC SHOCK, EXPLOSION OR ARC FLASH

- Turn off power supply before working on this equipment.

Failure to follow these instructions will result in death or serious injury.

- (B) No grounding wire required. DC inductive loads must be diode suppressed.
- (C) 4 Pin connector for dual channel output only. Mating connector: MOLEX 050579404 or equivalent.
- (D) 4 Terminal screws Pozidrive #1, 3/16 in (4.8 mm).
- (E) Minimum wire insulation strip length 0.20 in (5.1 mm), maximum 0.28 in (7.1 mm).

Rev: 031113

Do not forget to visit us at: www.crydom.com

Copyright © 2013 Crydom Inc. Specifications subject to change without notice.